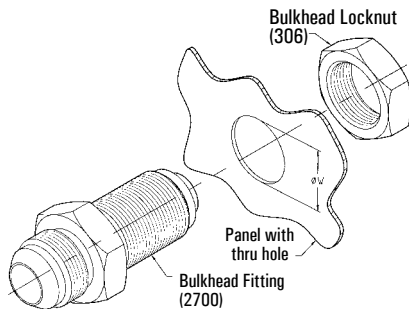


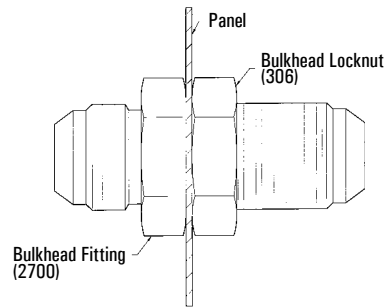
Bulkhead JIC



Components



Assembled



Bulkhead JIC fittings are designed to pass through a panel and secure with a locknut. Illustrated above is a series 2700 Bulkhead Union and series 306 Bulkhead Locknut. The panel hole should be drilled to the "W" diameter (\emptyset) specified for that size. Since the 37° JIC Bulkhead thread assembly procedures are the same as the standard 37° JIC thread, the assembly instructions on page should be followed. With the variety of bulkhead fittings that we offer you can have a hose, tube, or quick disconnect conveniently mounted for easy access.

Hydraulic tube fittings are dimensionally standardized by SAE under J514, but because of differing manufacturing methods and interpretation of conformance, actual performance will vary between brands. This is where our Quality Assurance Department sets us apart from many other manufacturers. Pressure Connections takes great pride in each fitting we sell. Standard material for our Bulkhead JIC is steel with a RoHs compliant 96-hour salt spray finish that exceeds the SAE 72-hour salt spray requirement. For details about our Quality Assurance Program please reference the inside front cover of this catalog.

Bulkhead JIC

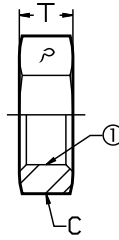
<p>● 306 (070118)</p> <p>Pg. 22-75-160 Bulkhead Locknut (Use with #2700)</p>	<p>● 2700 (070601)</p> <p>Pg. 76 Bulkhead Union 1-MJ 2-BH MJ</p>	<p>● 2701 (070701)</p> <p>Pg. 77 Bulkhead Union Elbow 1-MJ 2-BH MJ</p>	<p>● 2702 (070801)</p> <p>Pg. 77 Bulkhead Union Elbow 1-MJ 2-BH MJ</p>	<p>● 2703 (070959)</p> <p>Pg. 78 Bulkhead Branch Tee 1-MJ 2-MJ 3-BH MJ</p>	<p>● 2704 (070959R)</p> <p>Pg. 78 Bulkhead Run Tee 1-MJ 2-BH MJ 3-MJ</p>	<p>● 2705</p> <p>Pg. 79 Female Bulkhead Connector 1-FP 2-BH MJ</p>	<p>● 2706</p> <p>Pg. 79 Male Bulkhead Connector 1-MP 2-BH MJ</p>
--	--	--	--	--	--	--	--

● Available in 316 Stainless Steel

SAE 070118

Ref. Aeroquip 210212
 Ref. Parker WLN / 53N
 Ref. Weatherhead 5924

306
Bulkhead Locknut



Use with #2700 • Available in **316 Stainless Steel**

306-① Part No.	① Tube Thread	C Hex	T Thickness
306-02	5/16 - 24	9/16	0.22
306-03	3/8 - 24	5/8	0.22
306-04 & 306E-04 (Cold Headed)	7/16 - 20	11/16 (11/16)	0.28 (0.25)
306-05	1/2 - 20	3/4	0.28
306-06 & 306E-06 (Cold Headed)	9/16 - 18	13/16 (7/8)	0.27 (0.32)
306-08 & 306E-08 (Cold Headed)	3/4 - 16	1" (1 1/8)	0.31 (0.42)
306-10	7/8 - 14	1 1/8	0.36
306-12	1 1/16 - 12	1 3/8	0.41
306-14	1 3/16 - 12	1 1/2	0.41
306-16	1 5/16 - 12	1 5/8	0.41
306-20 ①	1 5/8 - 12	1 7/8	0.41
306-24 ①	1 7/8 - 12	2 1/8	0.41
306-32 ①	2 1/2 - 12	2 3/4	0.41

Bulkhead JIC

All of our Bulkhead Fittings are available with the Locknut (306), assembled on the body. Just add an "LN" suffix to the series number (2700LN-12-12).

Please Note

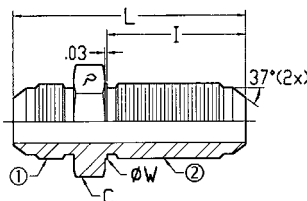
All of our Bulkhead Fittings are available with the Locknut (306), assembled on the body. Just add an "LN" suffix to the series number (2700LN-12-12).

Female JIC Swivel Torque Values are the same as the Male JIC Torque Values.

Bulkhead JIC

2700

Bulkhead Union Male JIC x Bulkhead Male JIC



SAE 070601

Ref. Aeroquip 2041 (-1)
Ref. Parker WTX / 0353
Ref. Weatherhead 5325

● Available in **316 Stainless Steel**

2700-①-② ①-MJ ②-BH MJ	Tube O.D.	① Male JIC	② Bulkhead Male JIC	C Hex	I Assembled	L Length	Ø W Diameter	Operating Pressure
2700-02-02	1/8	5/16 - 24	5/16 - 24	9/16	1.11	1.87	0.31	7,500
2700-03-03	3/16	3/8 - 24	3/8 - 24	5/8	1.11	1.90	0.38	7,500
2700-04-04	1/4	7/16 - 20	7/16 - 20	11/16	1.20	2.07	0.44	7,500
2700-05-05	5/16	1/2 - 20	1/2 - 20	3/4	1.20	2.07	0.50	6,000
2700-06-06	3/8	9/16 - 18	9/16 - 18	13/16	1.28	2.18	0.56	6,000
2700-08-08	1/2	3/4 - 16	3/4 - 16	1"	1.44	2.44	0.75	6,000
2700-10-10	5/8	7/8 - 14	7/8 - 14	1 1/8	1.58	2.74	0.88	5,000
2700-12-12	3/4	1 1/16 - 12	1 1/16 - 12	1 3/8	1.75	3.09	1.06	5,000
2700-14-14	7/8	1 3/16 - 12	1 3/16 - 12	1 1/2	1.75	3.12	1.19	5,000
2700-16-16	1"	1 5/16 - 12	1 5/16 - 12	1 5/8	1.75	3.14	1.31	4,000
2700-20-20	1 1/4	1 5/8 - 12	1 5/8 - 12	1 7/8	1.80	3.31	1.63	4,000
2700-24-24	1 1/2	1 7/8 - 12	1 7/8 - 12	2 1/8	1.81	3.52	1.88	3,000
2700-32-32	2"	2 1/2 - 12	2 1/2 - 12	2 3/4	2.09	4.20	2.50	2,000

4:1 Safety Factor

Bulkhead JIC

Please Note

All of our Bulkhead Fittings are available with the Locknut (306), assembled on the body. Just add an "LN" suffix to the series number (2700LN-12-12).

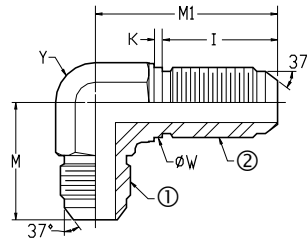
Female JIC Swivel Torque Values are the same as the Male JIC Torque Values.

Bulkhead Locknut (306) is on page 75.

Your Quality Connection

SAE 070701

Ref. Aeroquip 2043 (-1)
 Ref. Parker WETX / 2353
 Ref. Weatherhead 5525



2701
Bulkhead Union Elbow
Male JIC x Bulkhead Male JIC

• Available in 316 Stainless Steel

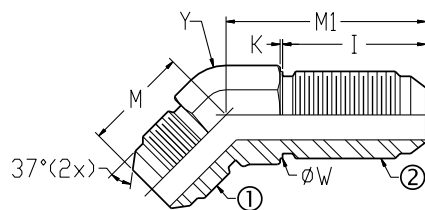
2701-①-②-4 ①-MJ ②-BH MJ	Tube O.D.	① Male JIC	② Bulkhead Male JIC	I Assm.	K Thick	M Length	M1 Length	Ø W Diameter	Y Flats	Operating Pressure
2701-03-03-4	3/16	3/8 - 24	3/8 - 24	0.92	0.094	0.94	1.50	0.38	7/16	7,500
2701-04-04-4	1/4	7/16 - 20	7/16 - 20	1.02	0.094	0.97	1.59	0.44	7/16	7,500
2701-05-05-4	5/16	1/2 - 20	1/2 - 20	1.02	0.094	1.06	1.72	0.50	9/16	6,000
2701-06-06-4	3/8	9/16 - 18	9/16 - 18	1.09	0.094	1.09	1.81	0.56	9/16	6,000
2701-08-08-4	1/2	3/4 - 16	3/4 - 16	1.25	0.125	1.36	2.11	0.75	3/4	6,000
2701-10-10-4	5/8	7/8 - 14	7/8 - 14	1.39	0.125	1.56	2.39	0.88	7/8	5,000
2701-12-12-4	3/4	1 1/16 - 12	1 1/16 - 12	1.56	0.125	1.78	2.67	1.06	1 1/16	4,000
2701-16-16-4	1"	1 5/16 - 12	1 5/16 - 12	1.56	0.125	1.94	2.80	1.31	1 5/16	4,000
2701-20-20-4	1 1/4	1 5/8 - 12	1 5/8 - 12	1.61	0.125	2.17	3.12	1.63	1 5/8	4,000

4:1 Safety Factor

Bulkhead JIC

SAE 070801

Ref. Aeroquip 2042 (-1)
 Ref. Parker WNTX / 3353
 Ref. Weatherhead 5375



2702
Bulkhead Union Elbow
Male JIC x Bulkhead Male JIC

• Available in 316 Stainless Steel

2702-①-②-4 ①-MJ ②-BH MJ	Tube O.D.	① Male JIC	② Bulkhead Male JIC	I Assm.	K Thick	M Length	M1 Length	Ø W Diameter	Y Flats	Operating Pressure
2702-03-03-4	3/16	3/8 - 24	3/8 - 24	0.92	0.094	0.69	1.42	0.38	7/16	7,500
2702-04-04-4	1/4	7/16 - 20	7/16 - 20	1.02	0.094	0.77	1.53	0.44	7/16	7,500
2702-05-05-4	5/16	1/2 - 20	1/2 - 20	1.02	0.094	0.77	1.66	0.50	9/16	7,500
2702-06-06-4	3/8	9/16 - 18	9/16 - 18	1.09	0.094	0.83	1.67	0.56	9/16	7,500
2702-08-08-4	1/2	3/4 - 16	3/4 - 16	1.25	0.125	0.98	1.94	0.75	3/4	6,000
2702-10-10-4	5/8	7/8 - 14	7/8 - 14	1.39	0.125	1.11	2.17	0.88	7/8	6,000
2702-12-12-4	3/4	1 1/16 - 12	1 1/16 - 12	1.56	0.125	1.28	2.44	1.06	1 1/16	5,000
2702-16-16-4	1"	1 5/16 - 12	1 5/16 - 12	1.56	0.125	1.47	2.56	1.31	1 5/16	4,000
2702-20-20-4	1 1/4	1 5/8 - 12	1 5/8 - 12	1.61	0.125	1.59	2.65	1.63	1 5/8	4,000

4:1 Safety Factor

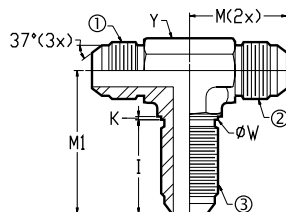
Bulkhead JIC

2703

Bulkhead Branch Tee MJ x MJ x Bulkhead Male JIC

SAE 070959

Ref. Aeroquip 203002 (-1)
Ref. Parker WJTX / 543T
Ref. Weatherhead C5725



• Available in 316 Stainless Steel

2703-①-②-③-4 ①-MJ ②-MJ ③-BH MJ	Tube O.D.	① ② Male JIC	③ Bulkhead Male JIC	I Assm.	K Thick	M Length	M1 Length	Ø W Diameter	Y Flats	Operating Pressure
2703-03-03-03-4	3/16	3/8 - 24	3/8 - 24	0.92	0.094	0.94	1.50	0.38	7/16	7,500
2703-04-04-04-4	1/4	7/16 - 20	7/16 - 20	1.02	0.094	0.97	1.59	0.44	7/16	7,500
2703-06-06-06-4	3/8	9/16 - 18	9/16 - 18	1.09	0.094	1.09	1.81	0.56	9/16	6,000
2703-08-08-08-4	1/2	3/4 - 16	3/4 - 16	1.25	0.125	1.36	2.11	0.75	3/4	6,000
2703-10-10-10-4	5/8	7/8 - 14	7/8 - 14	1.39	0.125	1.56	2.39	0.88	7/8	5,000
2703-12-12-12-4	3/4	1 1/16 - 12	1 1/16 - 12	1.56	0.125	1.78	2.67	1.06	1 1/16	4,000
2703-16-16-16-4	1"	1 5/16 - 12	1 5/16 - 12	1.56	0.125	1.94	2.80	1.31	1 5/16	4,000

4:1 Safety Factor

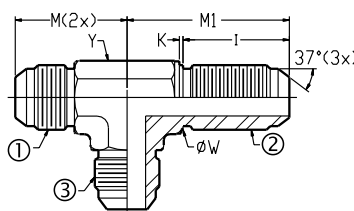
Bulkhead JIC

2704

Bulkhead Run Tee MJ x Bulkhead Male JIC x MJ

SAE 070958

Ref. Aeroquip 203008 / FF1065
Ref. Parker WJTX / 533T
Ref. Weatherhead C5726



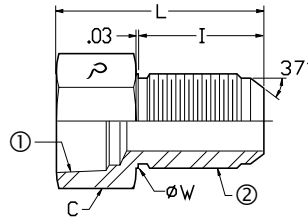
• Available in 316 Stainless Steel

2704-①-②-③-4 ①-MJ ②-BH MJ ③-MJ	Tube O.D.	① ③ Male JIC	② Bulkhead Male JIC	I Assm.	K Thick	M Length	M1 Length	Ø W Diameter	Y Flats	Operating Pressure
2704-03-03-03-4	3/16	3/8 - 24	3/8 - 24	0.92	0.094	0.94	1.50	0.38	7/16	7,500
2704-04-04-04-4	1/4	7/16 - 20	7/16 - 20	1.02	0.094	0.97	1.59	0.44	7/16	7,500
2704-06-06-06-4	3/8	9/16 - 18	9/16 - 18	1.09	0.094	1.09	1.81	0.56	9/16	6,000
2704-08-08-08-4	1/2	3/4 - 16	3/4 - 16	1.25	0.125	1.36	2.11	0.75	3/4	6,000
2704-10-10-10-4	5/8	7/8 - 14	7/8 - 14	1.39	0.125	1.56	2.39	0.88	7/8	5,000
2704-12-12-12-4	3/4	1 1/16 - 12	1 1/16 - 12	1.56	0.125	1.78	2.67	1.06	1 1/16	5,000
2704-16-16-16-4	1"	1 5/16 - 12	1 5/16 - 12	1.56	0.125	1.94	2.80	1.31	1 5/16	4,000

4:1 Safety Factor

SAE J514

Ref. Aeroquip 2239
 Ref. Parker WGTX / 0253
 Ref. Weatherhead C5275



2705
Female Bulkhead Connector
 Female Pipe x Bulkhead Male JIC

● Available in 316 Stainless Steel

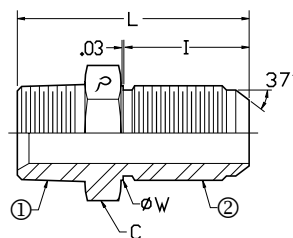
2705-①-② ①-FP ②-BH MJ	Tube O.D.	① Female NPTF	② Bulkhead Male JIC	C Hex	I Assm.	L Length	Ø W Diameter	Operating Pressure
2705-02-04	1/4	1/8 - 27	7/16 - 20	11/16	1.20	1.84	0.44	6,000
2705-04-04	1/4	1/4 - 18	7/16 - 20	3/4	1.20	2.09	0.44	6,000
2705-04-06	3/8	1/4 - 18	9/16 - 18	13/16	1.28	2.12	0.56	6,000
2705-06-06	3/8	3/8 - 18	9/16 - 18	1"	1.28	2.17	0.56	6,000
2705-06-08	1/2	3/8 - 18	3/4 - 16	1"	1.44	2.34	0.75	6,000
2705-08-08	1/2	1/2 - 14	3/4 - 16	1 1/8	1.44	2.59	0.75	5,000
2705-08-10	5/8	1/2 - 14	7/8 - 14	1 1/8	1.58	2.62	0.88	5,000
2705-12-12	3/4	3/4 - 14	1 1/16 - 12	1 3/8	1.75	2.99	1.06	4,000
2705-12-14	7/8	3/4 - 14	1 3/16 - 12	1 3/8	1.75	2.92	1.19	4,000
2705-16-16	1"	1 - 11 1/2	1 5/16 - 12	1 5/8	1.75	3.25	1.31	3,000
2705-20-20	1 1/4	1 1/4 - 11 1/2	1 5/8 - 12	2"	1.80	3.22	1.63	2,500
2705-24-24	1 1/2	1 1/2 - 11 1/2	1 7/8 - 12	2 3/8	1.81	3.33	1.88	2,000

4:1 Safety Factor

Bulkhead JIC

SAE J514

Ref. Aeroquip 2240
 Ref. Parker WFTX / 0153



2706
Male Bulkhead Connector
 Male Pipe x Bulkhead Male JIC

● Available in 316 Stainless Steel

2706-①-② ①-MP ②-BH MJ	Tube O.D.	① Male NPTF	② Bulkhead Male JIC	C Hex	I Assm.	L Length	Ø W Diameter	Operating Pressure
2706-02-04	1/4	1/8 - 27	7/16 - 20	11/16	1.20	1.80	0.44	6,000
2706-04-04	1/4	1/4 - 18	7/16 - 20	11/16	1.20	2.03	0.44	6,000
2706-04-06	3/8	1/4 - 18	9/16 - 18	13/16	1.28	2.19	0.56	6,000
2706-06-06	3/8	3/8 - 18	9/16 - 18	13/16	1.28	2.22	0.56	6,000
2706-06-08	1/2	3/8 - 18	3/4 - 16	1"	1.44	2.42	0.75	6,000
2706-08-08	1/2	1/2 - 14	3/4 - 16	1"	1.44	2.60	0.75	6,000
2706-08-10	5/8	1/2 - 14	7/8 - 14	1 1/8	1.58	2.72	0.88	5,000
2706-12-12	3/4	3/4 - 14	1 1/16 - 12	1 3/8	1.75	2.93	1.06	5,000
2706-16-16	1"	1 - 11 1/2	1 5/16 - 12	1 5/8	1.75	3.11	1.31	4,500
2706-20-20	1 1/4	1 1/4 - 11 1/2	1 5/8 - 12	1 7/8	1.80	3.32	1.63	3,000
2706-24-24	1 1/2	1 1/2 - 11 1/2	1 7/8 - 12	2 1/8	1.81	3.44	1.88	3,000

4:1 Safety Factor